

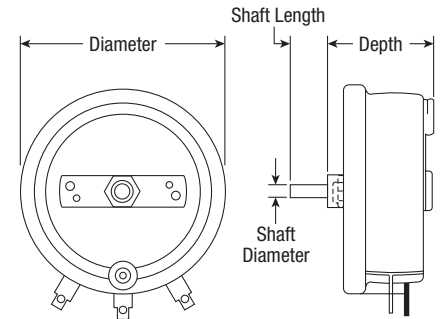
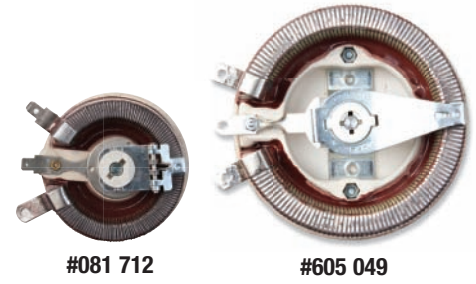


Wire Wound Rheostats

Part #	Watts	Ohms	Amps	Terminals	Hardware	Diameter	Depth	Shaft	
								Dia.	Length
186 207	25	16	1.25	Fric., 1/4"	Nut	1-5/8"	1-3/8"	1/4"	1/2"
605 828	50	1.5	5.77	Screw	Nut	2-3/8"	1-1/2"	1/4"	1/2"
005 355	50	.9	3.00	Fric., 1/4"	Mtg. Brkt.	2-3/8"	1-5/8"	1/4"	1-1/4"
000 101	50	16	1.76	Fric., 1/4"	Nut	2-3/8"	1-1/2"	1/4"	1/2"
030 987	50	25	1.41	Fric., 1/4"	Nut	2-3/8"	1-1/2"	1/4"	1/2"
006 085	75	25	1.73	Fric., 1/4"	Nut	2-3/4"	1-3/4"	1/4"	1/2"
081 712	100	30	1.82	Fric., 1/4"	Nut	3-1/4"	1-3/4"	1/4"	1/2"
494 618	100	35	1.69	Fric., 1/4"	Nut	3-1/4"	1-3/4"	1/4"	1/2"
222 996 ¹	150	15	3.16	Fric./Scr.	Mtg. Brkt.	4"	2"	1/4"	7/8"
222 994 ²	150	15	3.16	Fric./Scr.	Mtg. Brkt.	4"	2"	1/4"	7/8"
402 159	150	32	2.16	Screw	Mtg. Brkt.	4"	2"	1/4"	1/2"
241 165	150	50	1.73	Fric., 1/4"	Nut	4"	2"	1/4"	1/2"
605 049	300	25	3.46	Screw	Mtg. Brkt.	6"	2-1/4"	3/8"	1-1/4"
605 960	300	34	4.5	Screw	Mtg. Brkt.	6"	2-1/4"	3/8"	1-1/4"
233 060	150	14		Fric., 1/4"	Nut	4"	2"	1/4"	3/8"
205 839	100	10		Fric., 1/4"	Nut	4"	2"	1/4"	3/8"
188 635	300	34		Fric., 1/4"	Nut	6"	2-3/8"	3/8"	1-3/8"
198 547	25	1.5	4.08	Fric., 1/4"	Nut	1-9/16"	1-3/4"	1/4"	7/8"
239 168	150	50		Fric., 1/4"	Nut	4"	2"	1/4"	3/8"
210 067	25	12		Fric., 1/4"	Nut	1-9/16"	1-3/8"	1/4"	11/32"
030 041	300	50		Fric., 1/4"	Nut	6"	2-3/8"	3/8"	2"

¹Fine adjustment

²Course adjustment



Pointer Knobs Set Screws

Part #	Diameter	I.D.
174 992	.840	.250
097 922	.875 (7/8")	.250
171 007	1.625 (1-5/8")	.250
207 077 ³	1.625 (1-5/8")	.250
097 926	2.375 (2-3/8")	.250
019 627 ⁴	2.375 (2-3/8")	.250
148 723	2.375 (2-3/8")	.379

³Previous generation to current design

⁴Push on knob; no set screws

